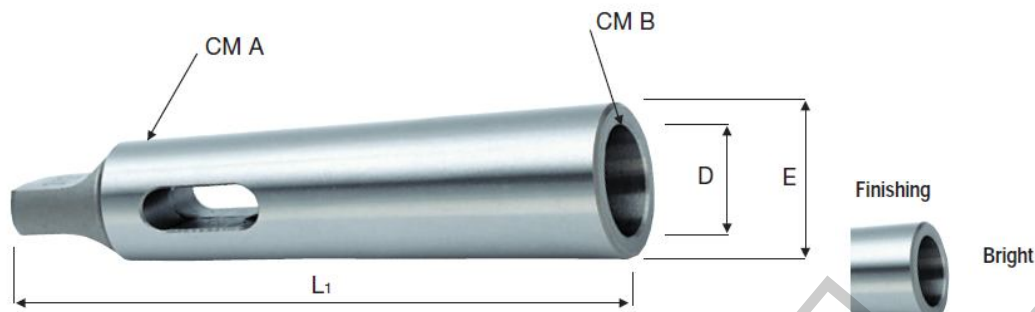


MORSE TAPER SLEEVES ■ Art. 9050



SPECIAL ALLOY STEEL
FULLY HARDENED-GROUND
DIN 2185

Morse Taper Sleeves. Inside and Outside Hardened-Grounded for a perfect taper of the two Cones. Applications to fit the Morse Taper shank of a tool to that of the machine's chuck.

Morse Taper Cono Morse		L1 mm	D mm	E mm
CM A	CM B			
2	1	92	12,065	18,6
3	1	99	12,065	24,1
3	2	112	17,780	24,7
4	1	124	12,065	31,6
4	2	124	17,780	31,6
4	3	140	23,825	32,4
5	1	156	12,065	44,7
5	2	156	17,780	44,7
5	3	156	23,825	44,7
5	4	171	31,267	45,5
6	2	218	17,780	63,8
6	3	218	23,825	63,8
6	4	218	31,267	63,8
6	5	218	44,399	63,8